



Aberdare Community School
Mathematics Department

WJEC GCSE
Foundation – Non Calculator
Shape

Draw a net

Name:

Set:

Date:

Teacher:

5. The following diagram shows a rectangular box without a lid.

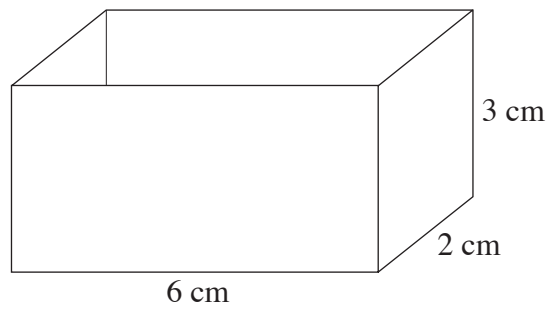


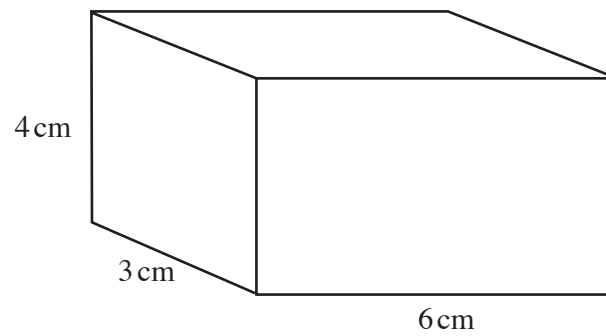
Diagram not drawn to scale.

Draw an accurate net for this box.
The base has been drawn for you.

[4]



(c) Draw an accurate net for the closed box sketched below.

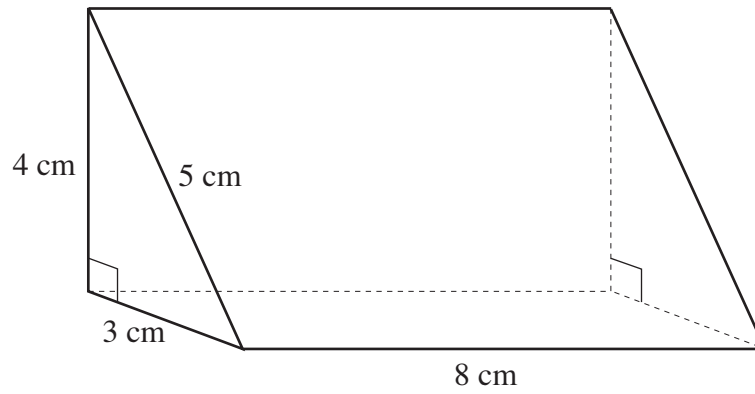


The base, measuring 6 cm by 3 cm, has been drawn for you.

[4]

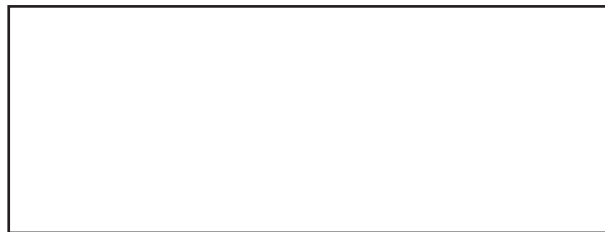


- (b) Draw an accurate net for the **triangular prism** sketched below.

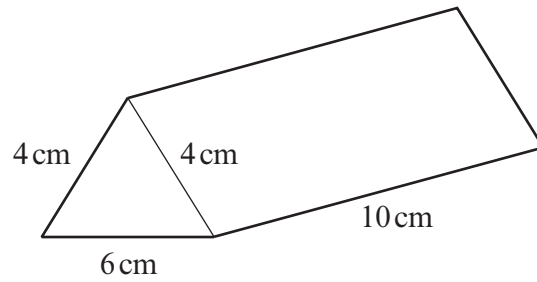


The base, measuring 8 cm by 3 m, has been drawn for you.

[4]

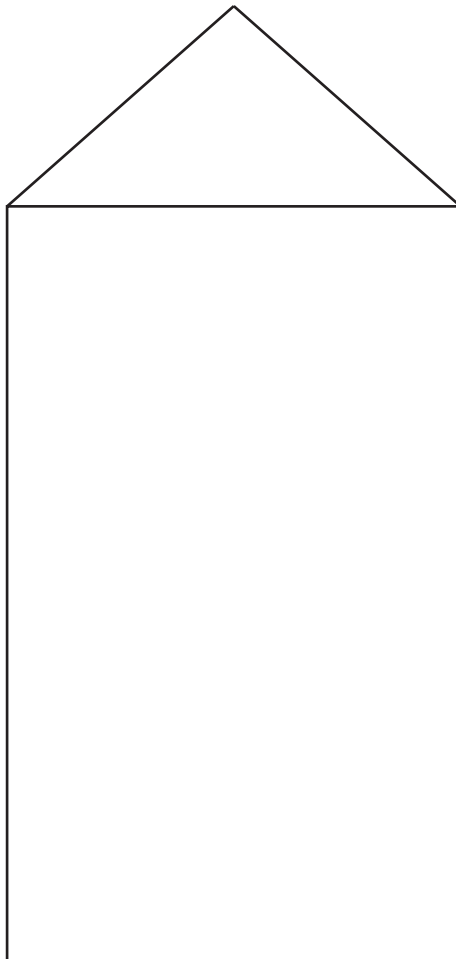


8. The diagram shows a sketch of a triangular prism.



Draw an **accurate** net of the triangular prism.
Two faces have been drawn for you.

[4]



(b) Draw an accurate net for the closed box sketched below.

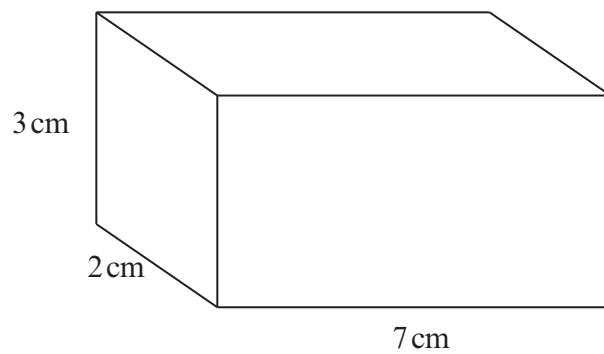


Diagram not drawn to scale

The base, measuring 7 cm by 2 cm, has been drawn for you on the page opposite.

[4]

For use with question 6(b)



4. (a) Draw an accurate net for the **triangular prism** sketched below.

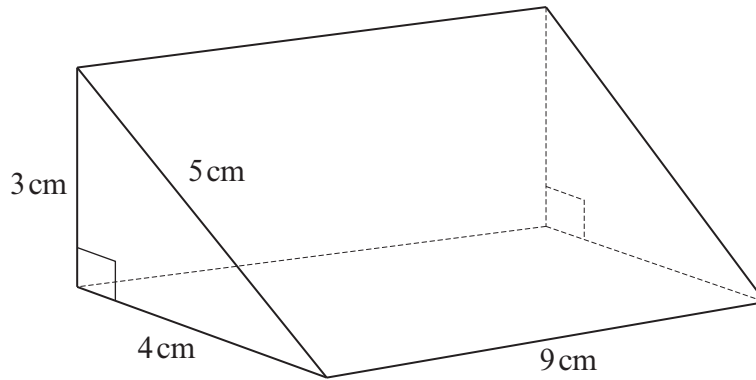
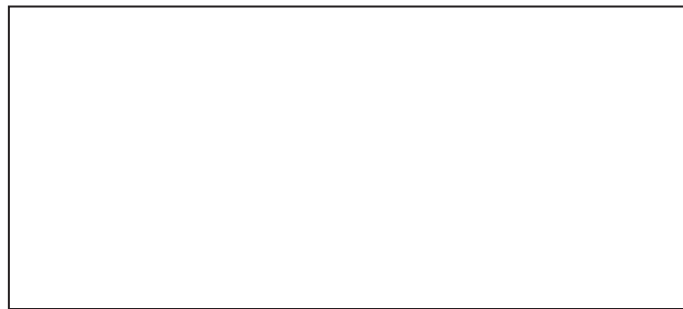


Diagram not drawn to scale

The base, measuring 9 cm by 4 cm, has been drawn for you.

[4]



4. (a) Draw an accurate net for the **cuboid** sketched below.

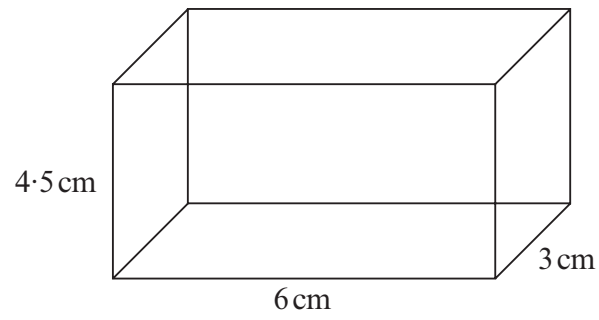


Diagram not drawn to scale

The base, measuring 6 cm by 3 cm, has been drawn for you.

[4]



9. A manufacturer makes cereal bars.
Each bar is a cuboid, measuring 6 cm by 4 cm by 1 cm.
The manufacturer wants to make a box, with a lid, in which to pack 3 cereal bars.
The bars are packed one on top of the other, so that no space is wasted, as shown in the diagram below.

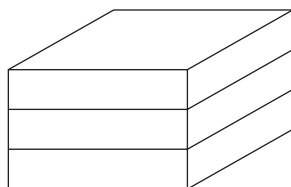


Diagram not drawn to scale

Draw an accurate net of the **box** that will hold 3 cereal bars.
One face has been drawn for you.

[4]

