



Aberdare Community School
Mathematics Department

WJEC GCSE

Higher – Calculator

Shape

Dimensions

Name:

Set:

Date:

Teacher:

8. (a) Complete the table.

	Dimensions	Unit of measure
Area of a football pitch with the length measured in metres	2	m^2
Area of a circle calculated using the value of the radius in mm		
Volume of a cuboid calculated using dimensions measured in cm		

[2]

10.

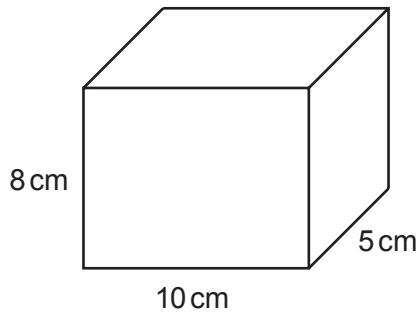


Diagram not drawn to scale

A cuboid made of metal has dimensions 10 cm, 8 cm and 5 cm. The mass of the cuboid is 1.1 kg. Calculate the density of the metal. State the units of your answer. [4]

.....

.....

.....

.....

.....

.....

.....

.....

.....

4353
02/0011

