



Aberdare Community School
Mathematics Department

WJEC GCSE

Higher – Non Calculator
Shape

Accurate drawings

Name:

Set:

Date:

Teacher:

4. In answering this question, you must show all your construction arcs.
Use a ruler and a pair of compasses to construct an angle of 45° at the mid-point of the straight line below.
Label your angle 45° .



[3]



5. (a) Abhu has an old bike that has been damaged.
The wheels are missing but he still has the frame.

He has made a sketch of the damaged frame as shown below.

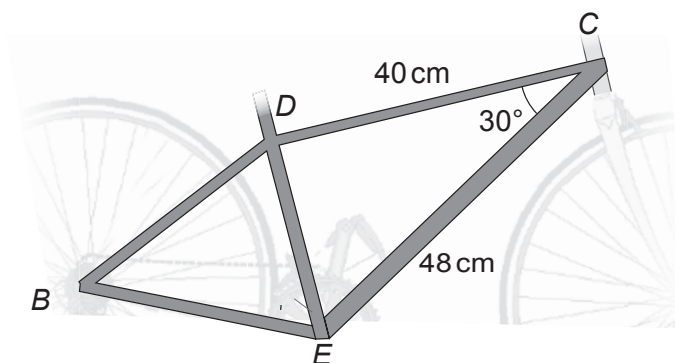


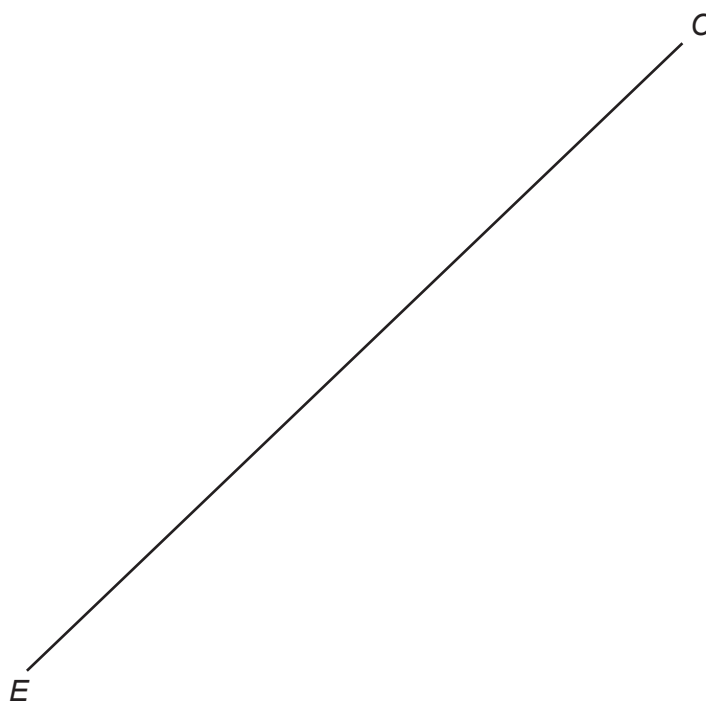
Diagram not drawn to scale

Abhu needs to know the actual length DE so that he can buy a new part.

Using a pair of compasses and a ruler only, construct a scale drawing of triangle DCE .
Use a scale of 1 cm to represent 4 cm.
You must show all your construction lines.

Hence find the actual length of DE .

[5]



Actual length of DE =